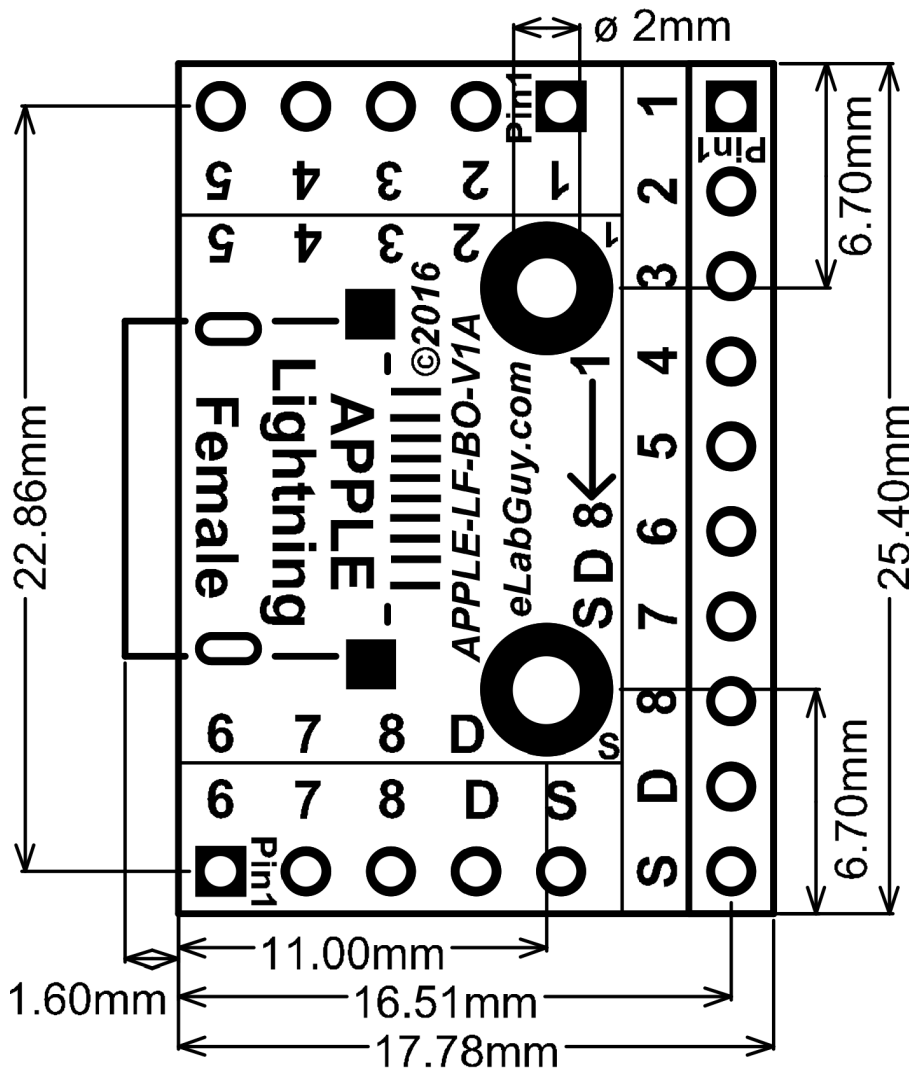
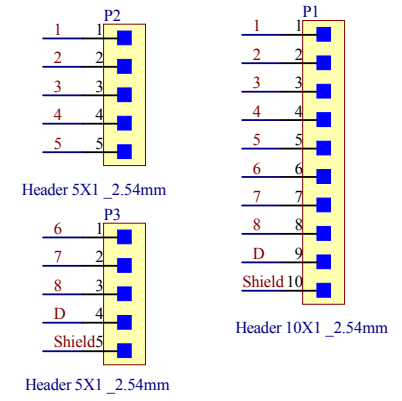
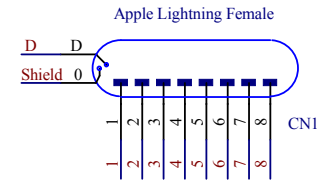


* PCB 1.60mm THICKNESS



PCB outline Drawing



Schematic Diagram



Title		Apple Lightning Female Breakout	
Size	Number	Revision	
A4	APPLE-LF-BO-V1A	1A	
Date:	7/4/2016	Sheet of	
File:	C:\Users\... \APPLE-LF-BO-V1A Drawing SolidDoc By: www.eLabGuy.com		